



Ersatzteilbuch / Spare parts book



ATH-W

W82

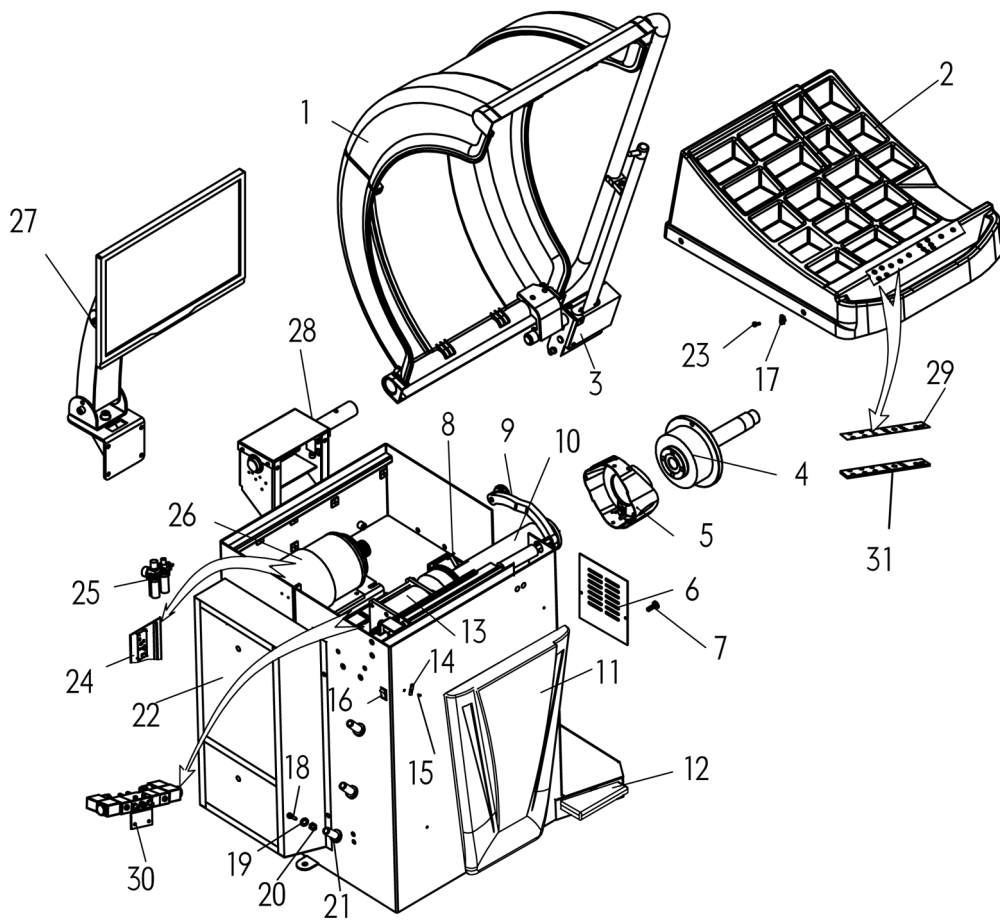
Seriennummer/Serial number: 804124170972



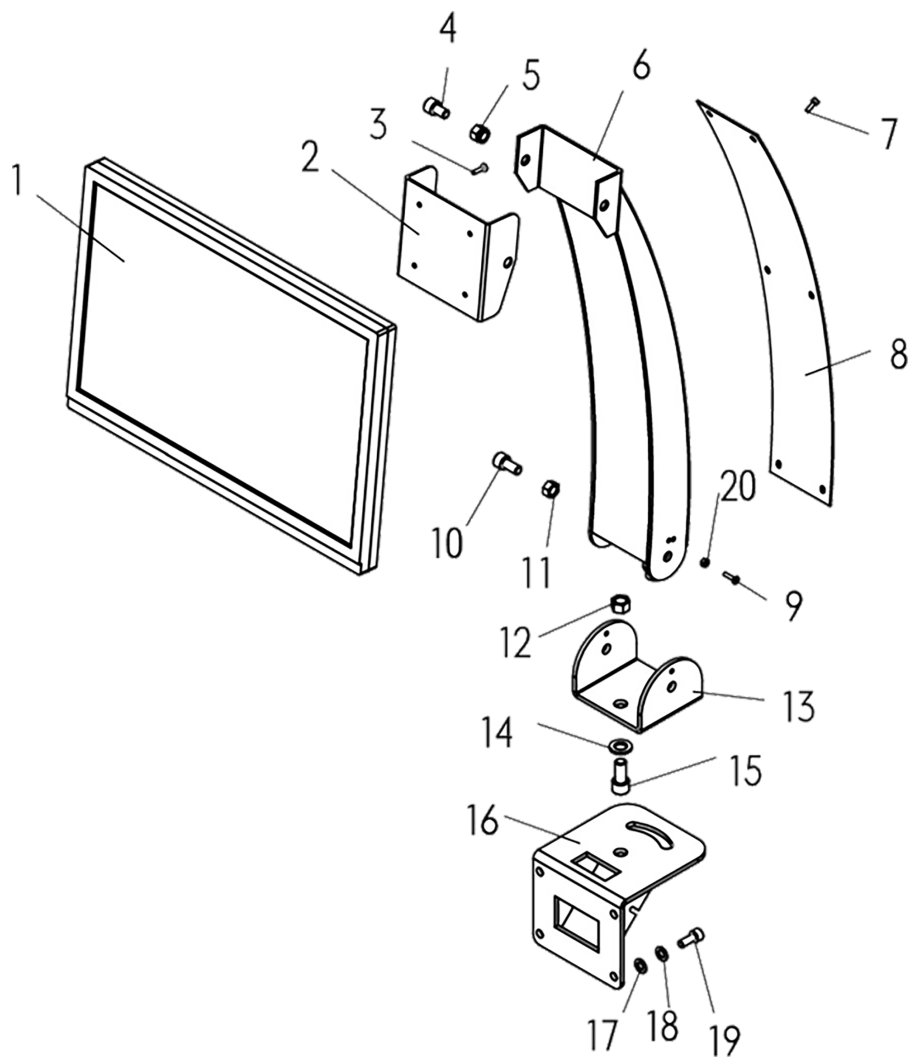
ATH-Heinl GmbH & Co. KG | Gewerbepark 9
D-92278 Illschwang | Germany | www.ath-heinl.de

Stand: Dezember 2021. Fehler und Irrtümer vorbehalten. Verkauf nur über ATH-Vertriebspartner.



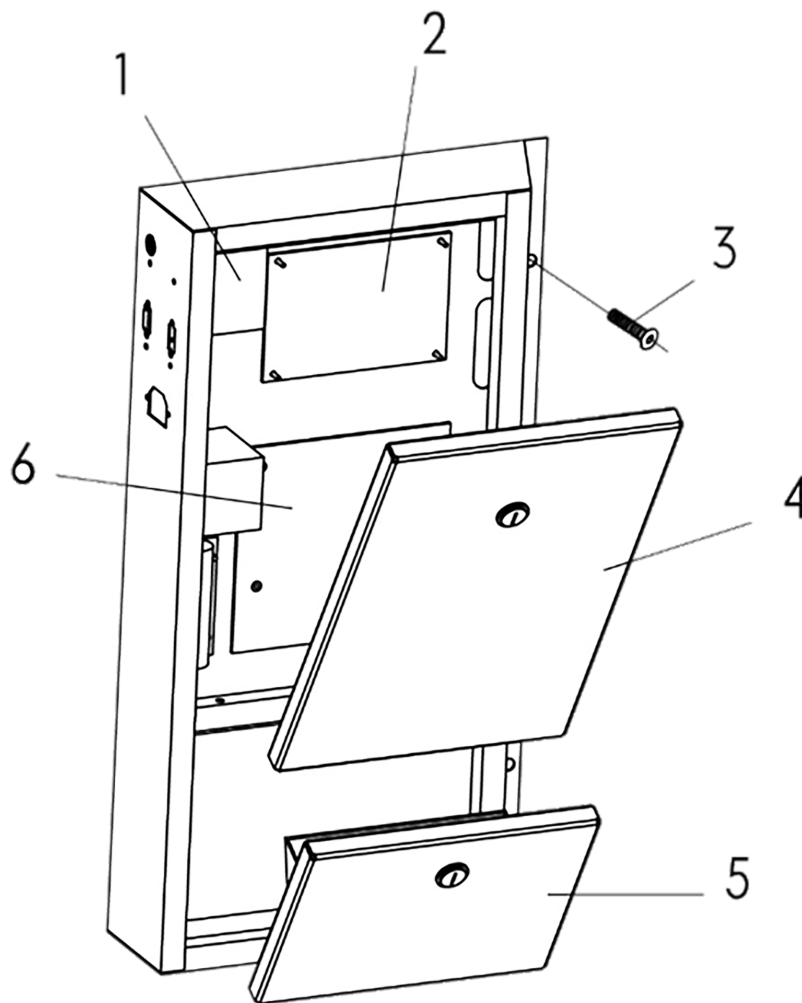


ITEM	ATH PART NO	Art. Beschreibung	Art. Description	QTY
01-001	RSB0005	Schutzbogen	protection cover	1
01-002	RKA0103	Gewichte Ablage	weight cover	1
01-003	RMF0115	Messarm 3D	external gauge	1
01-004	RGW0064	Wuchtwelle	adaptor	1
01-005	RKA0104.10	Beleuchtung/Laser	laser probe	
01-006	RGE0002	Abdeckung rechts	plate	1
01-007	x	Schraube ST5.5x16	Pin ST5.5x16	2
01-008	RRP0142	Rotationsplatine	photocell	
01-009	RMA0002	Messarm	internal gauge	1
01-010	RWW0216	Wuchtwelle (bis ´17)	main shaft (unitl ´17)	1
01-010.1	RWW0216.10	Wuchtwelle (ab ´17)	Main shaft (from ´17)	1
01-011	RAB0015	Frontabdeckung	front cover	1
01-012	RBP0001	Pedal	pedal switch	
01-013	RSZ0789	Spannzylinder	cylinder	1
01-014	x	Klemme	decorative sheet	4
01-015	x	Schraube M4x10	screw M4x10	1
01-016	RHS0001	Hauptschalter	switch	4
01-017	x	Mutter	nut	3
01-018	x	Schraube M6x30	screw M6x30	3
01-019	x	Beilagscheibe 6	Washer 6	3
01-020	x	Mutter M6	Nut M6	3
01-021	RKH0085	Konus Aufnahme	tooling hand	3
01-022	RNG0001	Nebengehäuse	assistant body	1
01-023	x	Schraube	screw	4
01-024	x	Pneumatik-Steuerung	pneumatic control board	1
01-025	RWE8002	Druckluftwartungseinheit	air regulator	1
01-026	RMO0756	Motor	motor	1
01-027	x	Anzeige LCD Monitor	Display LCD Monitor	1
01-028	RSM0007	Schutzbogen Mechanisms	support assembly of the wheel cover	1
01-029	RSP0172	Tastaturfolie	keyboard mask	1
01-030	RPV0001	Pneumatikventil für Bremse	solenoid valve	1
01-031	RTP0166	Tastatur	keyboard	1



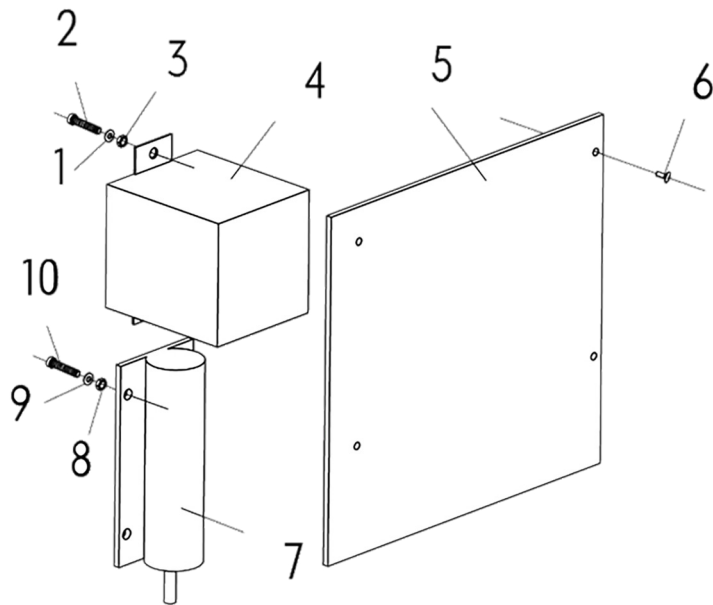
ITEM	ATH PART NO	Art. Beschreibung	Art. Description	QTY
02-001	RDA0003	17" LCD Bildschirm	17" LCD Monitor	1
02-002	x	Aufnahme Bildschirm	Support of monitor	1
02-003	x	Kreuzschlitz-Schraube M4x16	Cross recessed pan head screw M4x16	1
02-004	x	Innensechskant-Schraube M10X20	SHCS M10X20	2
02-005	x	Selbstsichernde Mutter M10	Secure nut M10	2
02-006	RHM1095	Kabelkanal	welded support	1
02-007	x	Innensechskant-Schraube M4X12	SHCS M4X12	6
02-008	RHM1096	Abdeckung Kabelkanal	Display Support Cover	1
02-009	x	Innensechskant-Schraube M4X20	SHCS M4X12	2
02-010	x	Innensechskant-Schraube M10X20	SHCS M10X20	2
02-011	x	Selbstsichernde Mutter M10	Secure nut M10	2
02-012	x	Selbstsichernde Mutter M12	Secure nut M12	2

02-013	RHM1097	Aufnahme Kabelkanal	base support	1
02-014	x	Beilagscheibe 12mm	Washer Flat 12mm	2
02-015	x	Innensechskant-Schraube M12x30	SHCS M12x30	2
02-016	RHM1098	Display Halterung Winkel für Grundplatte	Display Support Connect Basement	1
02-017	x	Federscheibe 8mm	Washer; Spring 8mm	4
02-018	x	Beilagscheibe 8mm	Washer; Flat 8mm	4
02-019	x	Innensechskant-Schraube M8x20	SHCS M8x20	4
02-020	x	Selbstsichernde Mutter M12	Secure nut M12	2

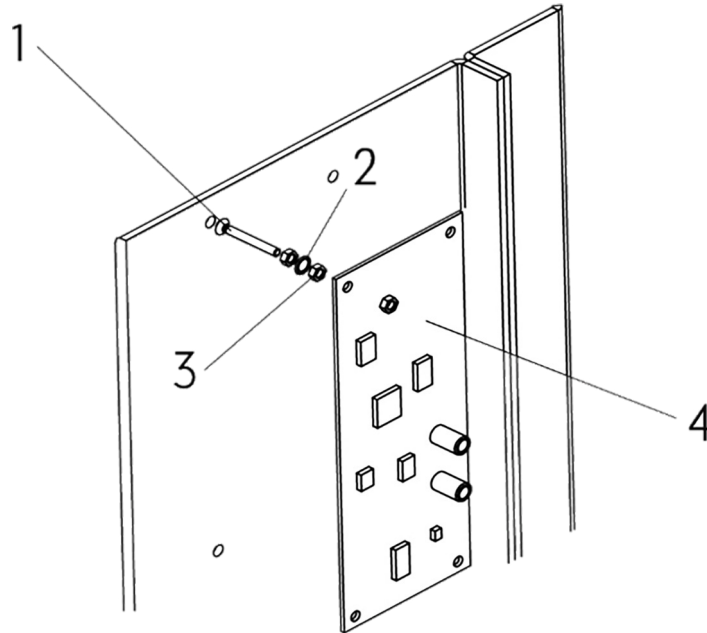


ITEM	ATH PART NO	Art. Beschreibung	Art. Description	QTY
03-001	RGP0172	Grafikplatine	Display	1
03-002	RSP0172	Steuerplatine 1 Laser-Pin	Control board 1 pin	1
03-002'	RSP0172.20	Steuerplatine 2 Laser-Pins	Control board 2 pins	
03-002''	RSP0172.30	Steuerplatine 3 Laser-Pins	Control board 3 pins	
03-003	x	Schraube M8x20	Screw M8x20	4
03-004	x	Obere Abdeckung	upper cover	1
03-005	x	Untere Abdeckung	lower cover	1
03-006	RSP0177	Stromplatine	power board	1
03-007	x	Nebengehäuse	assistant body	1

04

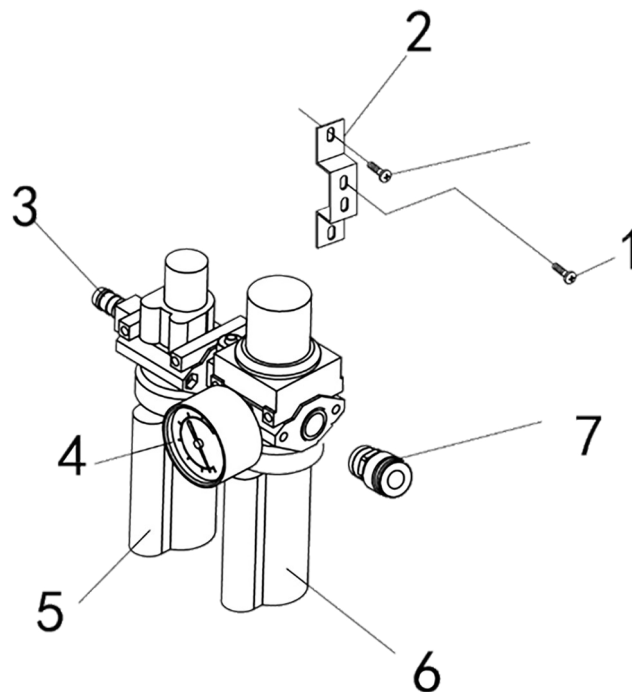


ITEM	ATH PART NO	Art. Beschreibung	Art. Description	QTY
04-001	x	Beilagscheibe 4	Washer 4	2
04-002	x	Schraube M4x16	screw M4x16	2
04-003	x	Mutter M4	nut M4	2
04-004	RTR0174	Transformator	transformer	1
04-005	RSP0177	Stromplatine	power board	1
04-006	x	Schraube	screw M4x12	4
04-007	RWI0183	Bremswiderstand 100W/15Ω	brake resistance 100W/15Ω	1
04-008	x	Mutter M4	nut M4	2
04-009	x	Beilagscheibe 4	Washer 4	2
04-010	x	Schraube M4x16	screw M4x16	2

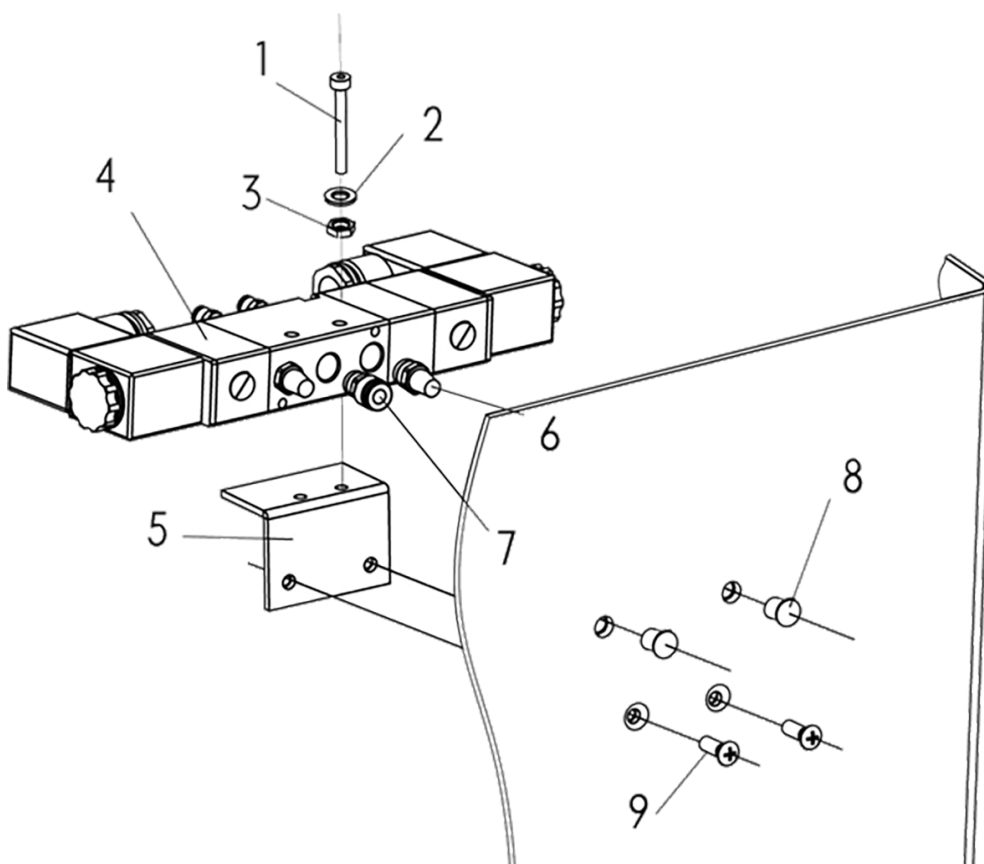


ITEM	ATH PART NO	Art. Beschreibung	Art. Description	QTY
05-001	x	Schraube M3x25	screw M3x25	4
05-002	x	Beilagscheibe 3	Washer 3	8
05-003	x	Mutter M3	nut M3	12
05-004	RSP0178	Pneumatik Steuerung ATH	pneumatic control board	1

06

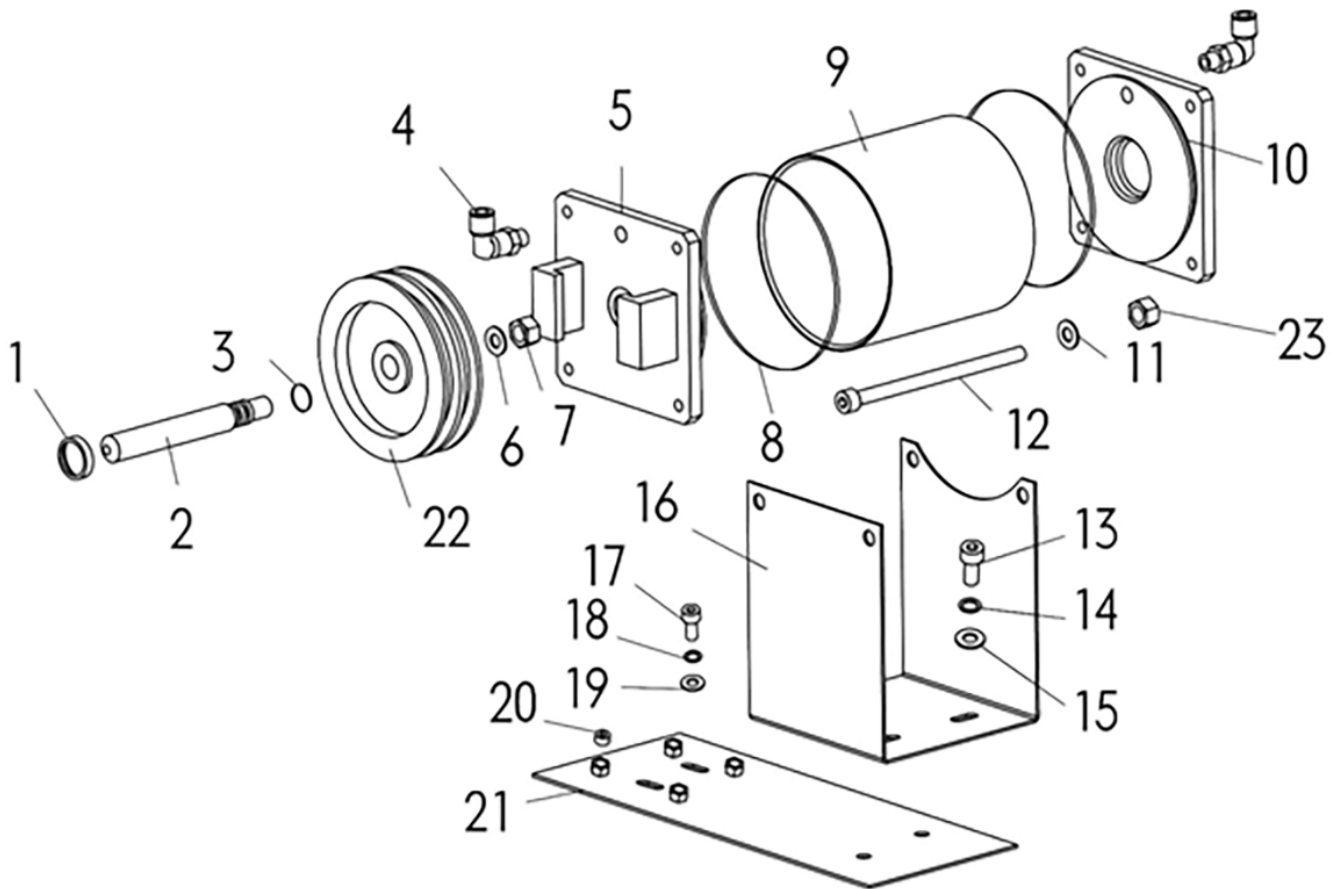


ITEM	ATH PART NO	Art. Beschreibung	Art. Description	QTY
06-001	x	Schraube M4x8	screw M4x8	2
06-002	RBW0001	Halteplatte	Support	2
06-003	x	Direktanschluss Ø10-G1/4"	direct connection Ø10-G1/4"	1
06-004	RMA8000	Manometer	pressure gauge	1
06-005	RÖB0865	Wasserabscheider	air filter cup	1
06-006	RWO8001	Öler	oil cup	1
06-007	x	Direktanschluss Ø6-G1/4"	direct connection Ø6-G1/4"	1
06-008	x	Schraube M4x8	screw M4x8	4
06-001-06-008	RWE8002	Druckluftwartungseinheit kpl.	Compressed air service unit cpl.	1



ITEM	ATH PART NO	Art. Beschreibung	Art. Description	QTY
07-001	x	Schraube M4x45	screw M4x45	2
07-001	x	Beilagscheibe 4	Washer 4	2
07-002	x	Mutter M4	Nut M4	2
07-003	RPV0001	Magnetventil GTV220-06	solenoid valve GTV220-06	1
07-005	x	Ventilhalter	valve holder	1
07-006	x	Entlüfter 1/8"-Ø6	Elbow 1/8"-Ø6	4
07-007	x	Direkt-Anschluss 1/8"-Ø8	direct connection 1/8"-Ø8	1
07-008	x	Lochabdeckung HP-10 (Ø9.5)	hole block HP-10 (Ø9.5)	2
07-009	x	Schraube M6x20	screw M6x20	2

08

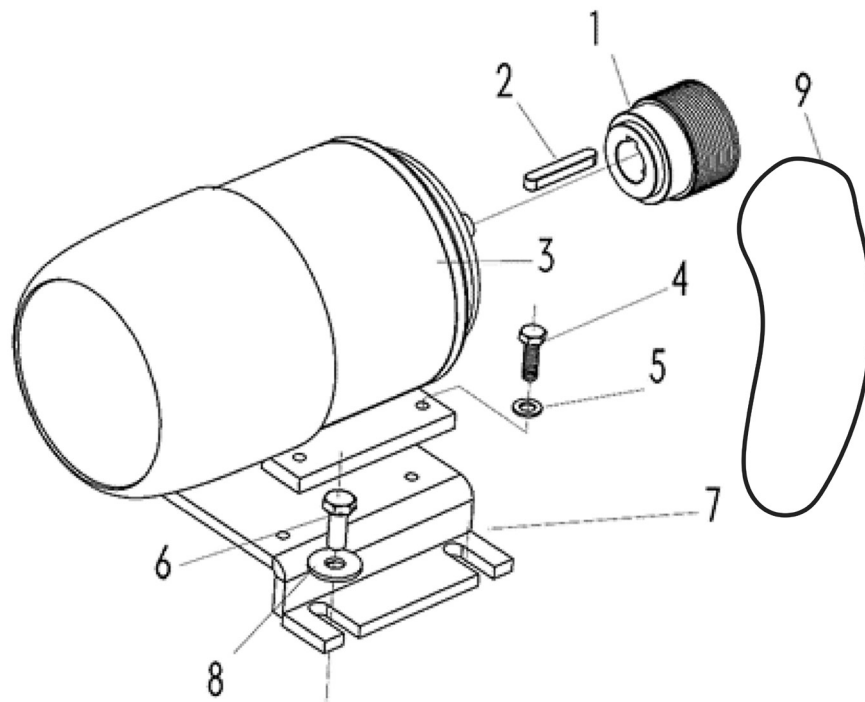


ITEM	ATH PART NO	Art. Beschreibung	Art. Description	QTY
08-001	x	V-Dichtung für Kolbenstange Y16x24x5	V-seal for piston rod Y16x24x5	1
08-002	x	Kolbenstange	Piston rod	1
08-003	x	O-Ring für Kolbenstange 14x2.4	O-ring for piston rod 14x2.4	2
08-004	x	Winkelanschluss G1/8 x 6	Angle connection G1/8 x 6	2
08-005	x	Vordere Zylinder-Abdeckung	Front cylinder cover	1
08-006	x	Beilagscheibe D.12	Washer D.12	1
08-007	x	Mutter M12	Nut M12	1
08-008	x	O-Ring 100x3.5	O-ring 100x3.5	2
08-009	x	Zylinderrohr	Cylinder barrel	1
08-010	x	Hintere Zylinder-Abdeckung	Rear cylinder cover	1
08-011	x	Beilagscheibe D.8	Washer D.8	8
08-012	x	Schraube M8x130	Screw M8x130	4
08-013	x	Schraube M6x12	Screw M6x12	2
08-014	x	Beilagscheibe D.6	Washer D.6	2
08-015	x	Beilagscheibe D.6	Washer D.6	2
08-016	x	Zylinderhalter	Cylinder holder	1
08-017	x	Schraube M6x12	Screw M6x12	2

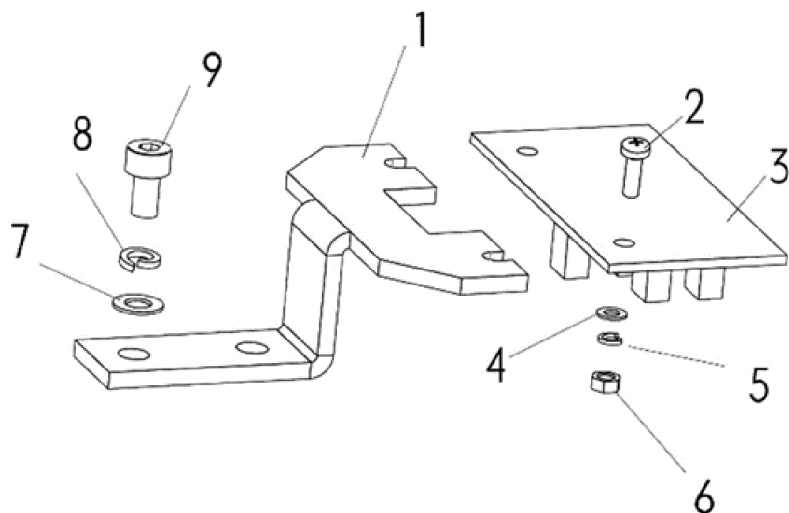


08-018	x	Beilagscheibe D.6	Washer D.6	2
08-019	x	Beilagscheibe D.6	Washer D.6	2
08-020	x	Schraube M6x20	Screw M6x20	4
08-021	x	Grundplatte	Base plate	1
08-022	x	Kolben	Piston	1
08-023	x	Mutter M8	Nut M8	4
08-001- 08-023	RSZ0789	Spannzylinder kpl.	Clamping cylinder	1

09

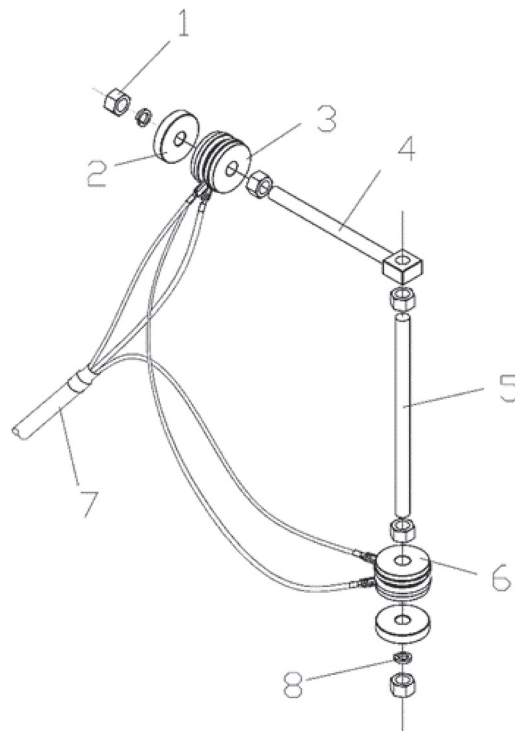


ITEM	ATH PART NO	Art. Beschreibung	Art. Description	QTY
09-001	RRR0134	Riemenscheibe	Motor belt pulley	1
09-002	x	Federscheibe 8x7x32	Spring washer 8x7x32	1
09-003	RMO0756	Motor	Motor	1
09-004	x	Schraube M8x20	Screw M8x20	4
09-005	x	Beilagscheibe D.8	Washer D.8	4
09-006	x	Schraube M8x30	Screw M8x30	4
09-007	RMH0123	Motor-Halter	Motor Basement	1
09-008	x	Beilagscheibe D.8	Washer D.8	4
09-009	RRR0133.10	Antriebsriemen	Drive belt	1

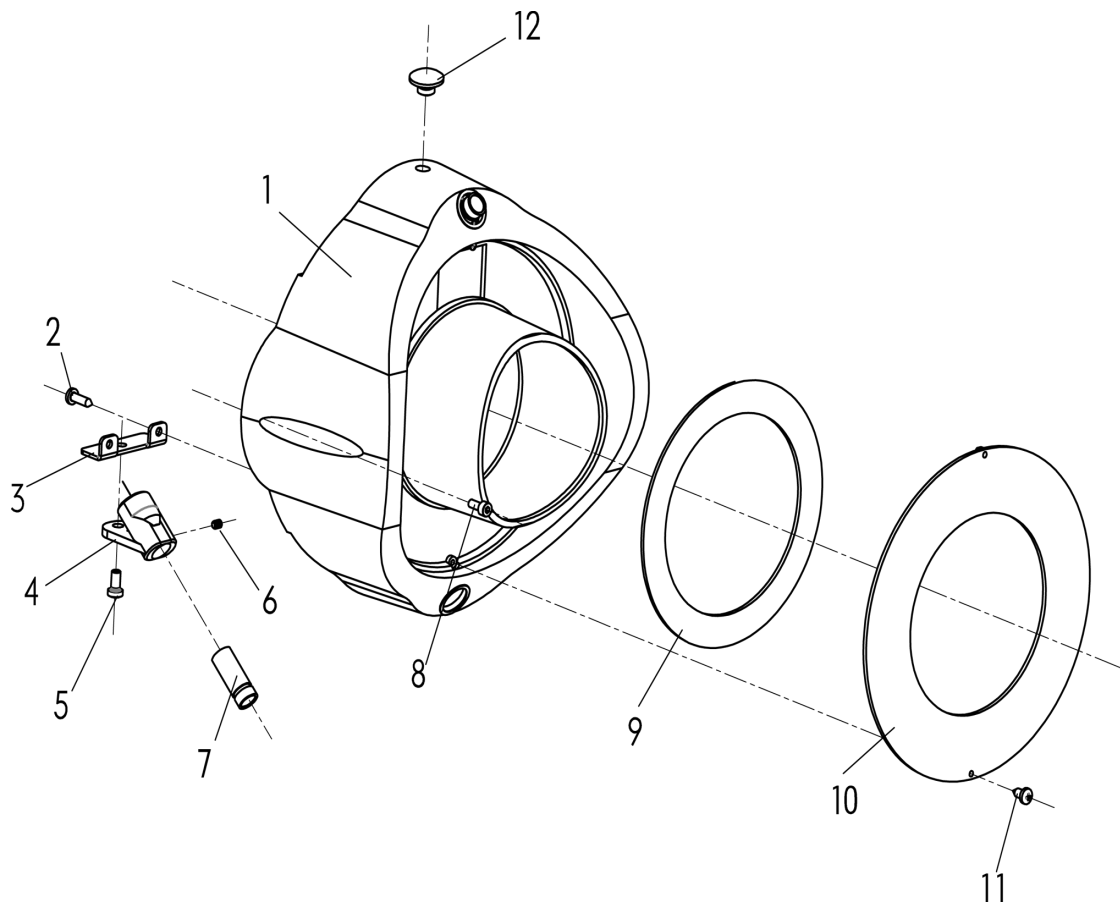


ITEM	ATH PART NO	Art. Beschreibung	Art. Description	QTY
10-001	RRP0139	Halter für Lichtschanke	Holder for photocell	1
10-002	x	Schraube M3x10	Screw M3x10	2
10-003	RRP0142	Lichtschanke (64T)	Photocell (64T)	1
10-004	x	Beilagscheibe D.3	Washer D.3	2
10-005	x	Beilagscheibe D.3	Washer D.3	2
10-006	x	Mutter M3	Nut M3	2
10-007	x	Beilagscheibe D.4	Washer D.4	2
10-008	x	Beilagscheibe D.4	Washer D.4	2
10-009	x	Schraube M4x8	Screw M4x8	2

11

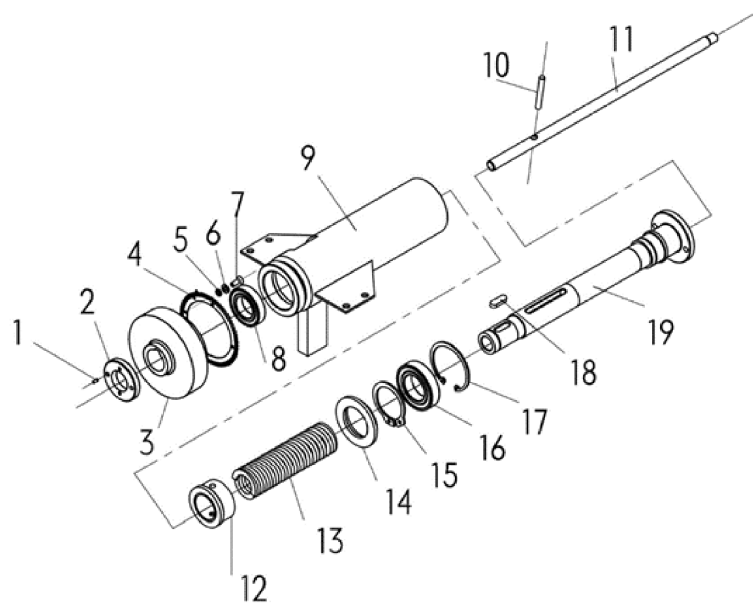


ITEM	ATH PART NO	Art. Beschreibung	Art. Description	QTY
11-001	x	Mutter M10	Nut M10	5
11-002	x	Sensor Beilagscheibe	Sonsor washer	2
11-003	RPA0128	Drucksensor (horizontal) D.10	Pizo Sensor (horizontal)	1
11-004	RPA0129	Aufnahmeachse horizontal	Sensor horizontal shaft	1
11-005	RPA0130	Aufnahmeachse vertikal	Sensor vertical shaft	1
11-006	RPA0128	Drucksensor (vertikal) D.10	Pizo Sensor (vertical)	1
11-007	x	Anschlusskabel	Connection cable	1
11-008	x	Beilagscheibe D.10	Washer D.10	2

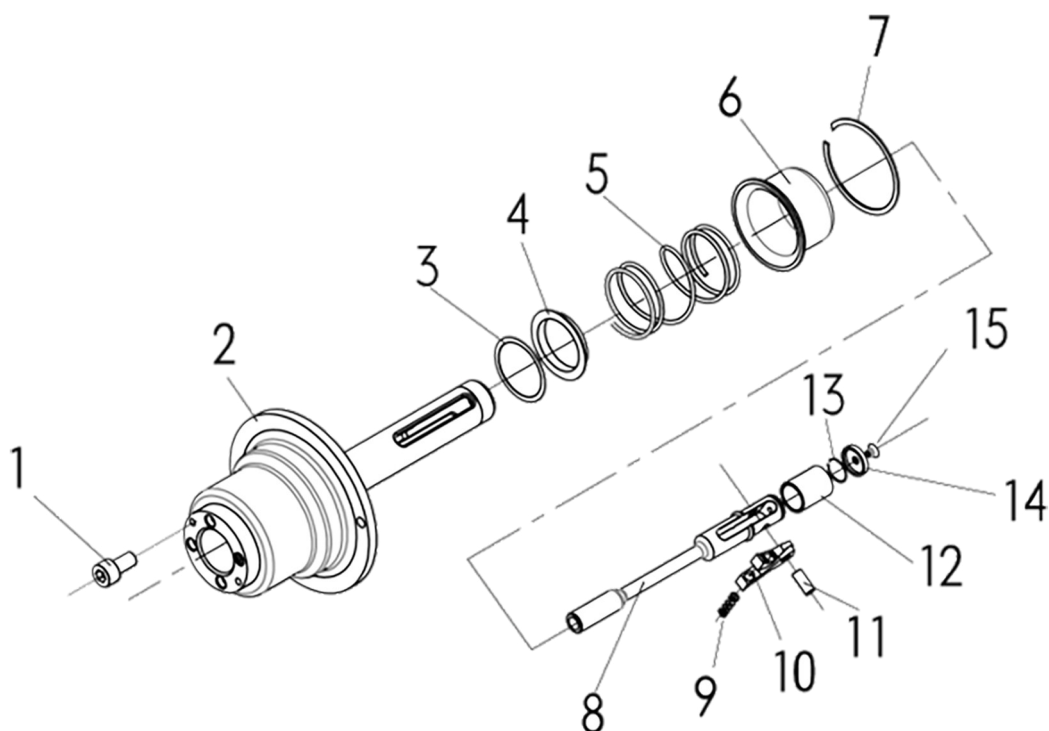


ITEM	ATH PART NO	Art. Beschreibung	Art. Description	QTY
12-001	RKA0104.10	Kunststoffabdeckung schwarz für Laser/LED (W-Serie ab 2020)	Black plastic cover for laser / LED (W series from 2020)	1
12-002	x	Kreuzschlitzschraube M4.2x16	Screw M4.2x16	4
12-003	RLA0002.01	Halterung Laser	Holder for laser	2
12-004	RLA0001.02	Laser 5V, Ø9x23,5 (ab 04.2021)	Laser 5V, Ø9x23,5 (from 04.2021)	2
12-005	x	Kreuzschlitzschraube M5x16	Screw M5x16	2
12-006	x	Sechskantschraube mit Innensechskant und flacher Spitze M4x4	Screw M4x4	2
12-007	RLA0001.02	Laser 5V, Ø9x23,5 (ab 04.2021)	Laser 5V, Ø9x23,5 (from 04.2021)	2
12-008	x	Kreuzschlitzschraube M4x10	Screw M4x10	2
12-009	RBS1909	LED-Band	LED tape	1
12-010	RKA0104.20	Abeckscheibe für LED-Beleuchtung (W-Serie ab 2020)	Cover plate for LED lighting (W series from 2020)	1
12-011	x	Kreuzschlitzschraube M2.2x5	Screw M2.2x5	2
12-012	x	Gummistopfen	Rubber plug	2

13

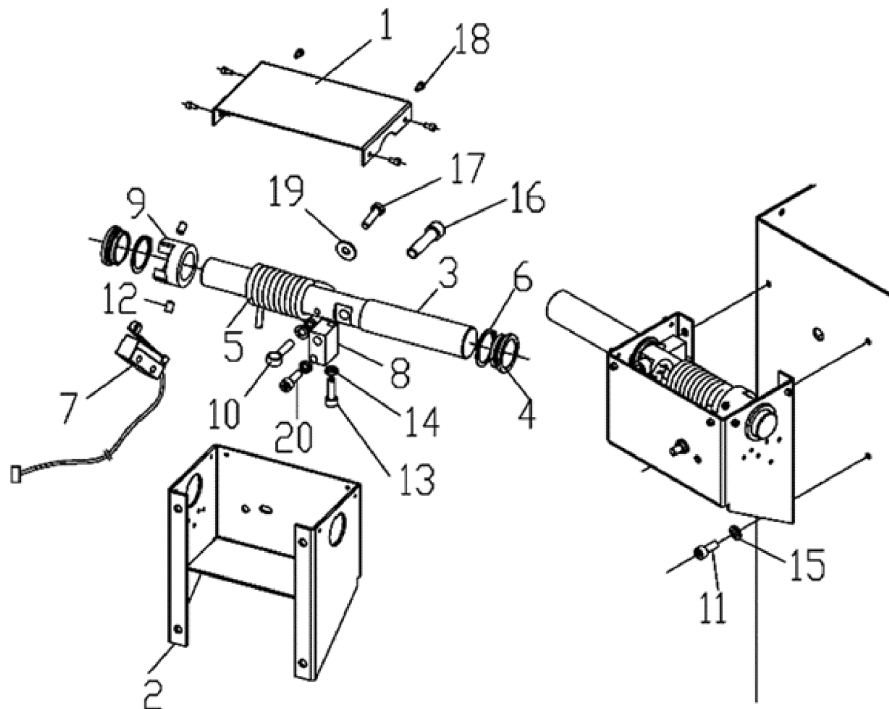


ITEM	ATH PART NO	Art. Beschreibung	Art. Description	QTY
13-001	x	Schraube M4x10	Screw M4x10	2
13-002	x	Mutter	Nut	1
13-003	x	Riemenscheibe	Pulley	1
13-004	x	Zahnscheibe	Toothed lock washer	1
13-005	x	Beilagscheibe D.4	Washer D.4	4
13-006	x	Beilagscheibe D.4	Washer D.4	4
13-007	x	Schraube M4x12	Screw M4x12	4
13-008	x	Kugellager	Ball bearing	1
13-009	x	Wuchtwellenaufnahme	Balancer shaft mount	1
13-010	x	Pin	Pin	1
13-011	x	Innere welle	Inner shaft	1
13-012	x	Federaufnahme	Spring holder	1
13-013	x	Feder	Spring	1
13-014	x	Beilagscheibe	Washer	1
13-015	x	Sicherungsring	Locking ring	1
13-016	x	Kugellager	Ball bearing	1
13-017	x	Sicherungsring	Locking ring	1
13-018	x	Federstift 10x6	Spring pin 10x6	1
13-019	x	Hauptwelle	Main shaft	1
13-001-13-0019	RWW0216.10	Wuchtwelle kpl. (ab 2017)	Balance shaft cpl. (from 2017)	1

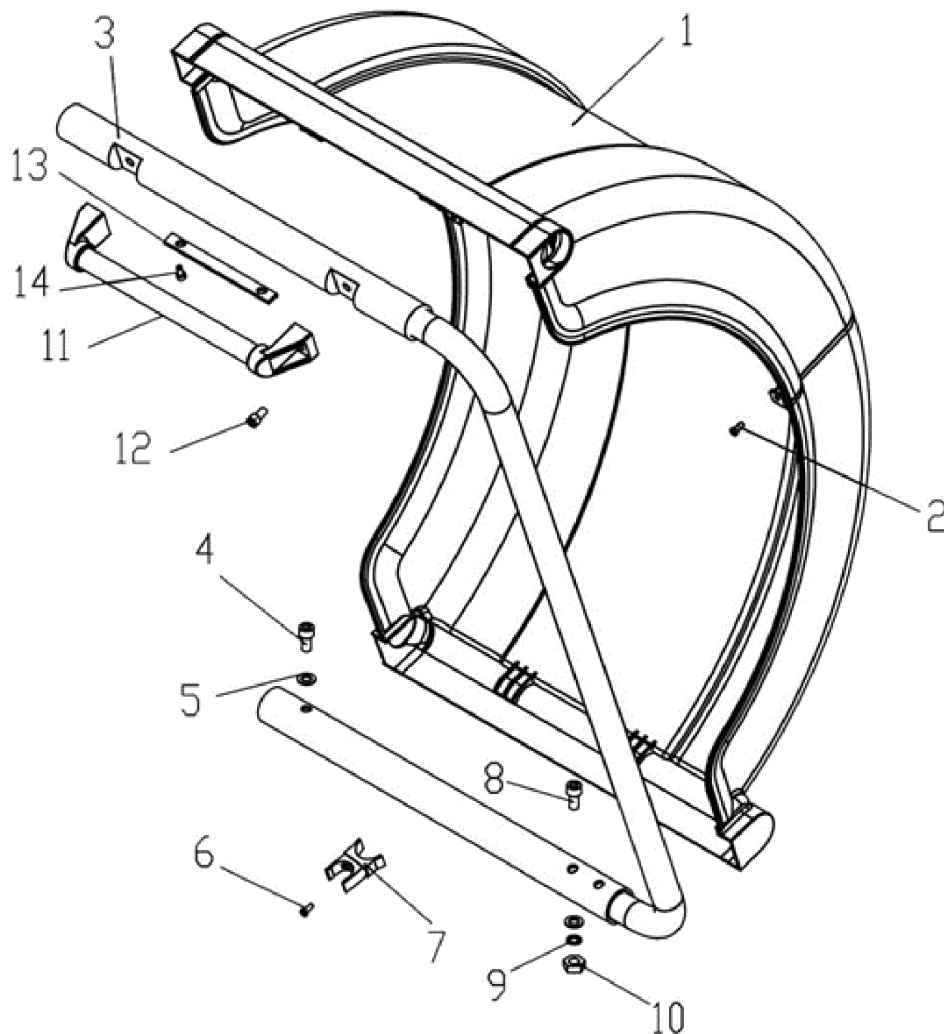


ITEM	ATH PART NO	Art. Beschreibung	Art. Description	QTY
14-001	x	Schraube M8x25	Screw M8x25	2
14-002	x	Welle	Shaft	1
14-003	x	Beilagscheibe	Washer	1
14-004	x	Nylon Aufnahme	Nylon recording	1
14-005	x	Feder für Welle	Spring for shaft	1
14-006	x	Druckhaube	Pressure hood	1
14-007	x	Sicherungsring	Locking ring	1
14-008	x	Aufnahme für Sperr Mechanismus	Receptacle for locking mechanism	1
14-009	x	Feder	Spring	1
14-010	x	Beilagscheibe	Washer	2
14-011	x	Achse	Shaft	1
14-012	x	Abdeckung für Sperr Mechanismus	Cover for locking mechanism	1
14-013	x	Sicherungsring	Locking ring	1
14-014	x	Beilagscheibe	Washer	1
14-015	x	Schraube M6x10	Screw M6x10	1
14-001-14-015	RGW0064	Spannglocke inklusive Spannweile	Tensioning bell including tensioning shaft	1

15

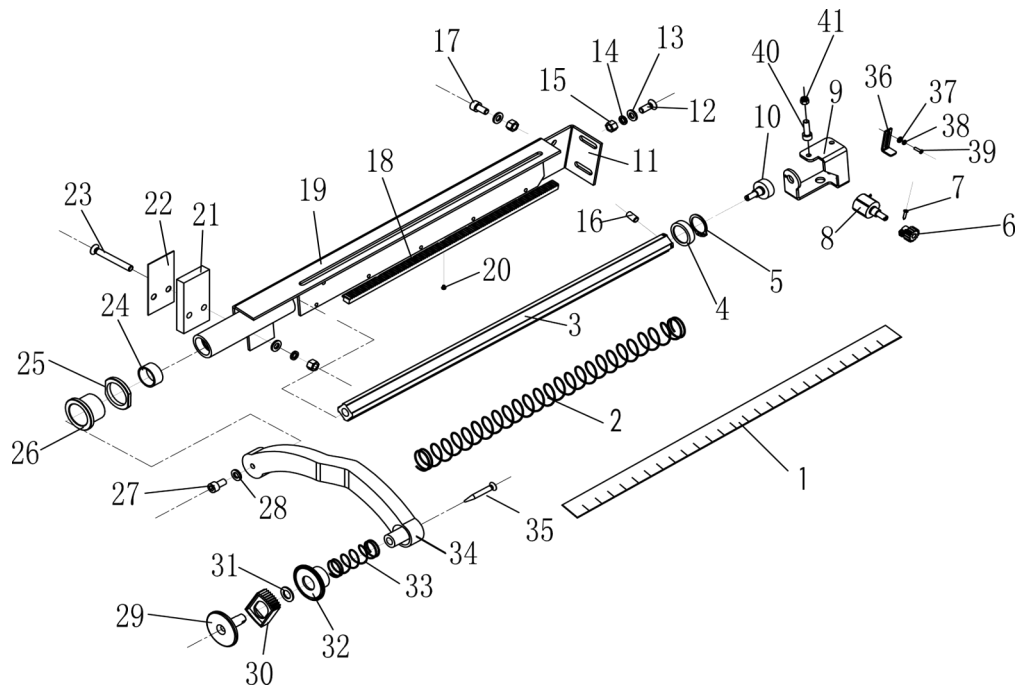


ITEM	ATH PART NO	Art. Beschreibung	Art. Description	QTY
15-001	RSM0001	Obere Abdeckung	Hood mounting assy cover	1
15-002	RSM0002	Aufnahme	Hood mounting assy bracket	1
15-003	RSM0003	Welle	Hood rotating shaft	1
15-004	RSM0004	Führungsbuchse	Hood shaft bushing	2
15-005	RSM0005	Torsionsfeder	Hood Spring	1
15-006	x	Sicherungsring	Locking ring	2
15-007	RMS6000	Schalter	Micro switch for wheel cover mechanism	1
15-008	RSM0006	Befestigungsblock	Hood Cam Stop	1
15-009	x	Hülse	Sleeve	1
15-010	RSM2001	Einschrauböse	Adjustabl Eye Bolt	1
15-011	x	Schraube M8x20	Screw M8x20	4
15-012	x	Schraube M8x12	Screw M8x12	2
15-013	x	Schraube M8x25	Screw M8x25	1
15-014	x	Mutter M8	Nut M8	2
15-015	x	Beilagscheibe D.8	Washer D.8	4
15-016	x	Schraube M12x40	Screw M12x40	1
15-017	x	Schraube M8x25	Screw M8x25	1
15-018	x	Schraube M4x8	Screw M4x8	6
15-019	x	Schraube M8x40	Screw M8x40	1
15-001-15-019	RSM0007	Schutzbogenmechanismus kpl.	Wheel guard mechanism cpl.	



ITEM	ATH PART NO	Art. Beschreibung	Art. Description	QTY
16-001	RSB0006	Radschutzbogen	Frontside of Wheel cover	2
16-002	x	Schraube M5x12	Screw M5x12	2
16-003	RSB0007	Grundrahmen	Frame for protective arch	1
16-004	x	Schraube M10x20	Screw M10x20	1
16-005	x	Beilagscheibe D.10	Washer D.10	3
16-006	x	Schraube M4x12	Screw M4x12	1
16-007	RSB0008	Halter für Messarm OPT	Holder for measuring arm	1
16-008	x	Schraube M10x70	Screw M10x70	2
16-009	x	Beilagscheibe D.10	Washer D.10	2
16-010	x	Mutter M10	Nut M10	2
16-011	RSB0004	Handgriff	Handle for protective arch	1
16-012	x	Schraube M8x20	Screw M8x20	2
16-013	x	Abdeckung	Cover	1
16-014	x	Schraube M4x12	Screw M4x12	2

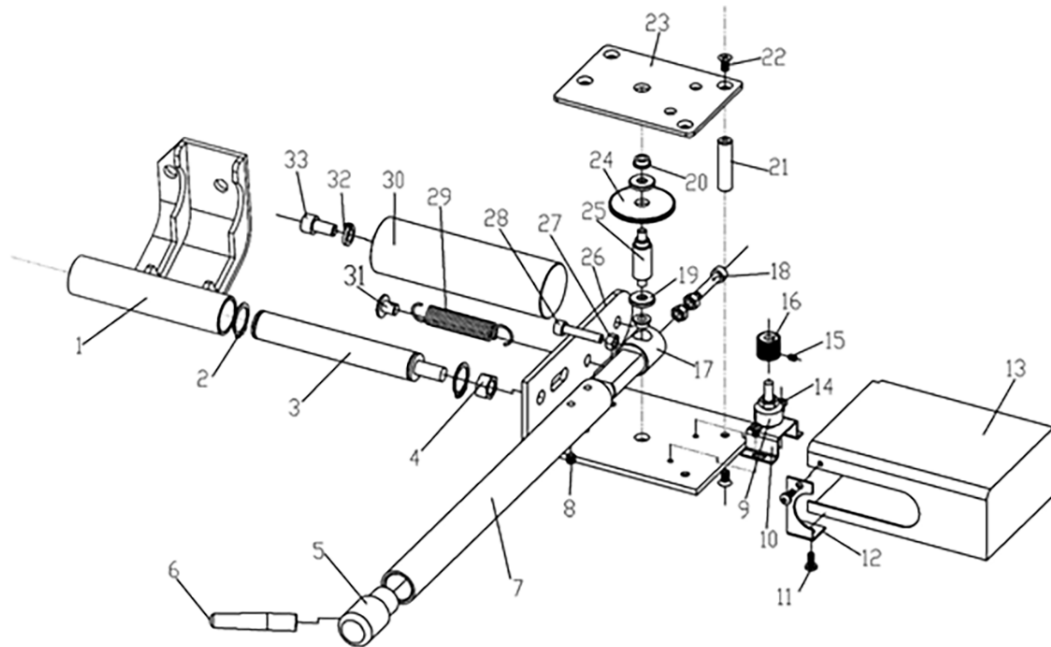
17



ITEM	ATH PART NO	Art. Beschreibung	Art. Description	QTY
17-001	x	Aufkleber Lineal	Sticker ruler	2
17-002	x	Feder	Spring	1
17-003	x	Stange	Rod	1
17-004	x	Beilagscheibe	Washer	1
17-005	x	Sprengring	Snap ring	1
17-006	x	Zahnscheibe	Toothed lock washer	1
17-007	x	Schraube	Screw	1
17-008	x	Potentiometer (multi-circle) 9x9.5	Potentiometer (multi-circle) 9x9.5	1
17-009	x	Aufnahme für Potentiometer	Mounting for potentiometer	1
17-010	x	Potentiometer (single-circle)	Potentiometer (single-circle)	1
17-011	x	Einstellplatte	Adjustment plate	1
17-012	x	Schraube M6x20	Screw M6x20	2
17-013	x	Beilagscheibe D.6	Washer D.6	6
17-014	x	Beilagscheibe D.6	Washer D.6	6
17-015	x	Mutter M6	Nut M6	6
17-016	x	Schraube M4x4	Screw M4x4	1
17-017	x	Schraube M6x16	Screw M6x16	2
17-018	x	Zahnstange	Toothed rack	1
17-019	x	Messarm Aufnahme	Measuring arm holder	1
17-020	x	Schraube ST2.9x6.5	Screw ST2.9x6.5	5
17-021	x	Block	Block	1
17-022	x	Beilagscheibe	Washer	1
17-020	x	Schraube M6x40	Screw M6x40	2

17-020	x	Buchse	Bush	2
17-020	x	Mutter	Nut	2
17-020	x	Mutter Aufnahme	Nut recording	1
17-020	x	Schraube M6x16	Screw M6x16	1
17-020	x	Beilagscheibe D.6	Washer D.6	1
17-020	x	Feste Scheibe für Messfinger	Fixed disc for measuring finger	1
17-030	x	Pressstück für Messfinger	Pressing piece for measuring finger	1
17-030	x	Beilagscheibe D.12	Washer D.12	1
17-030	x	Bewegliche Scheibe für Messfinger	Movable disc for measuring finger	1
17-030	x	Feder	Spring	1
17-030	x	Messarm	Measuring arm	1
17-030	x	Schraube ST4.9x32	Screw ST4.9x32	1
17-030	x	Winkel	Angle	1
17-030	x	Beilagscheibe D.4	Washer D.4	1
17-030	x	Beilagscheibe D.4	Washer D.4	1
17-030	x	Schraube	Screw	1
17-040	x	Schraube	Screw	
17-041	x	Mutter	Nut	
17-001- 17-041	RMA0002	Messarm komplett (W82)	Measuring arm complete (W82)	1

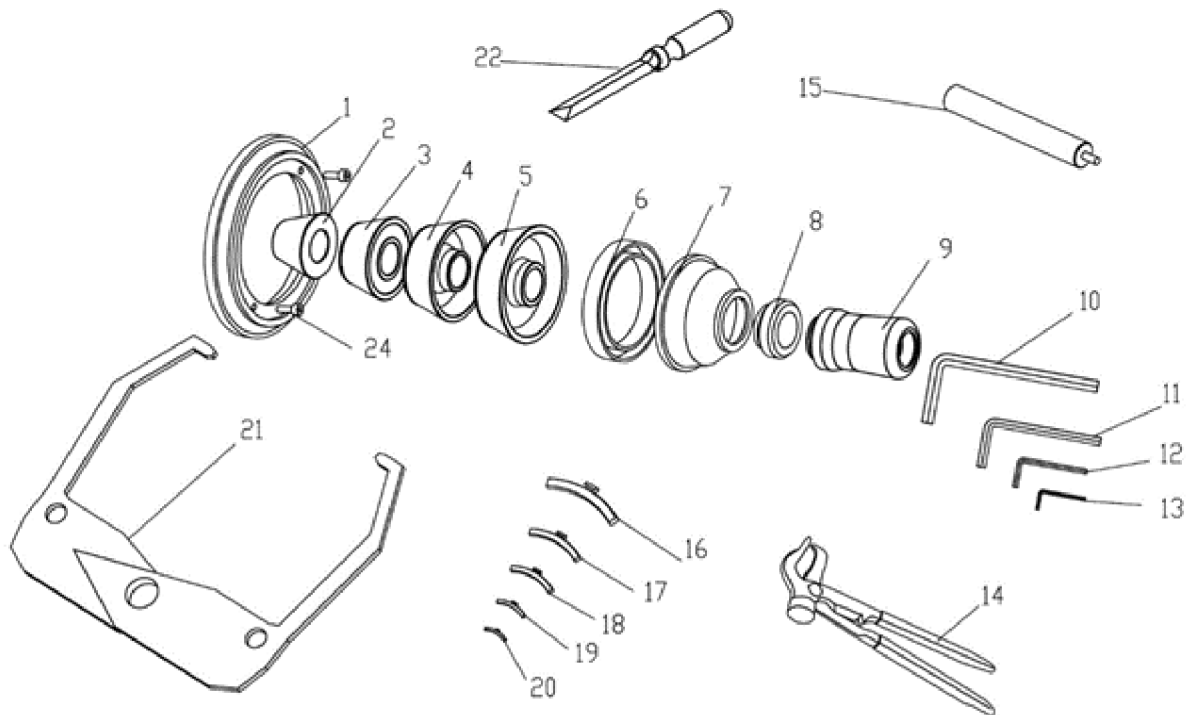
18



ITEM	ATH PART NO	Art. Beschreibung	Art. Description	QTY
18-001	x	Aufnahme	Bracket	1
18-002	x	Sprengring D.20	Snap ring D.20	2
18-003	x	Achse	Shaft	1
18-004	x	Mutter M10	Nut M10	1
18-005	x	Aufnahme Messspitze	Measuring tip receptacle	1
18-006	x	Messspitze	Measuring tip	1
18-007	x	Achse	Shaft	1
18-008	x	Schraube M6x6	Screw M6x6	4
18-009	x	Potentiometer	Potentiometer	1
18-010	x	Potentiometer Aufnahme	Potentiometer bracket	1
18-011	x	Schraube M4X10	Screw M4x10	3
18-012	x	Äußere Abdeckplatte	Outer cover plate	1
18-013	x	Abdeckung	Cover	1
18-014	x	Schraube M4X6	Screw M4x6	2
18-015	x	Schraube M4X5	Screw M4x5	1
18-016	x	Zahnscheibe 90	Toothed lock washer 90	1
18-017	x	Verbindung	Connection	1
18-018	x	Schraube M6x30	Screw M6x30	1
18-019	x	Beilagscheibe	Washer	2
18-020	x	Lager	Bearing	2
18-021	x	Aufnahme	Bracket	4

18-022	x	Schraube M5X10	Screw M5x10	8
18-023	x	Obere Abdeckplatte	Upper cover plate	1
18-024	x	Große Rolle	Large roll	1
18-025	x	Achse	Shaft	1
18-026	x	Untere Abdeckplatte	Lower cover plate	1
18-027	x	Mutter M6	Nut M6	3
18-028	x	Schraube M6X30	Screw M6x30	1
18-029	x	Feder	Spring	1
18-030	x	Ausgleichsgewicht	Balance weight	1
18-031	x	Federaufnahme	Spring bracket	1
18-032	x	Beilagscheibe D.10	Washer D.10	1
18-033	x	Schraube M8X16	Screw M8x16	1
18-001- 18-033	RMF0115	3D Messarm für Breitenmesslehre	3D measuring arm for width gauge	1

19



ITEM	ATH PART NO	Art. Beschreibung	Art. Description	QTY
19-001	RAF0033	Aufnahmeflansch für Konus 4	Mounting flange for cone 4	1
19-002	RKO0085	Konus 1	Cone 1	1
19-003	RKO0086	Konus 2	Cone 2	1
19-004	RKO0087	Konus 3	Cone 3	1
19-005	RKO0088	Konus 4	Cone 4	1
19-006	RGL0065	Gummischutz	Rubber protection	1
19-007	RDH0034	Spannhaube	Clamping hood	1
19-008	RKE0192	Kunststoffeinsatz	Plastic insert	1
19-009	RSM0197	Spannhülse	Clamping sleeve	1
19-010	RIS0060	Inbusschlüssel 12mm	Allen wrench 12mm	1
19-011	RIS0063	Inbusschlüssel 6 mm	Allen wrench 6mm	1
19-012	RIS0065	Inbusschlüssel 4mm	Allen wrench 4mm	1
19-013	RIS0066	Inbusschlüssel 3mm	Allen wrench 3mm	1
19-014	RGZ0057	Gewichtszange	Weight pliers	1
19-015	RMF0116	Distanzstück für Kalibrierung	Rod for calibrate width ruler	1
19-016	RPG0195	Schlaggewicht 100g	Test weight 100g for steel rims	1
19-017	RPG0196	Schlaggewicht 50g	Test weight 50g for steel rims	1
19-018	RPG0197	Schlaggewicht 35g	Test weight 35g for steel rims	1
19-019	RPG0198	Schlaggewicht 10g	Test weight 10g for steel rims	1
19-020	RPG0199	Schlaggewicht 5g	Test weight 5g for steel rims	1
19-021	RFL0038	Felgenmesslehre	Rim measuring gauge	1
19-022	152004-05	Klebegewichtsentferner	Adhesive weight remover	1



www.ath-heinl.de

ATH-Heinl GmbH & Co. KG

Gewerbepark 9
D-92278 Illschwang
Germany

Tel.: +49 (0)9666 18801 00

Fax: +49 (0)9666 18801 01

info@ath-heinl.de

www.ath-heinl.de

